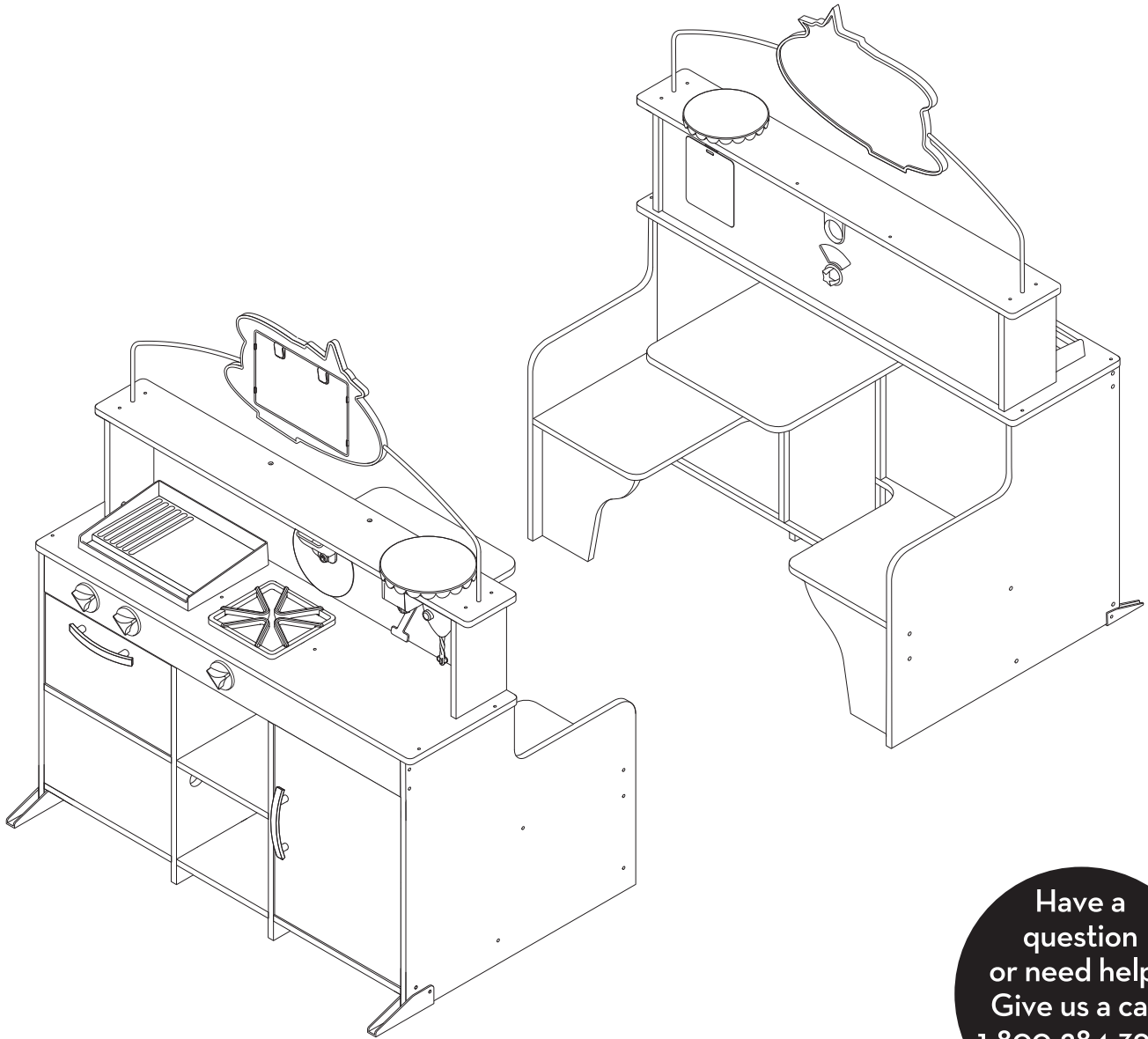




Star Diner Restaurant

ASSEMBLY INSTRUCTIONS



Have a question or need help? Give us a call! 1-800-284-3948

Item # 3951

Melissa & Doug
We ♥ feedback! Call us: 1-800-284-3948
MelissaAndDoug.com

Melissa & Doug products meet or exceed all U.S. toy testing standards and pass our high quality requirements.
© Melissa & Doug, LLC, P.O. Box 590, Westport, CT 06881
MADE IN CHINA

WARNING:
CHOKING HAZARD - Small Parts.
Not for children under 3 years.

Ages 3+
CAUTION:
ADULT ASSEMBLY REQUIRED.

THANK YOU!

Thank you for choosing the Melissa & Doug Star Diner Restaurant! It's a terrific way to help nourish a child's creativity and imagination, and to inspire delicious pretend play for years to come.

NOW IT'S TIME TO PUT IT TOGETHER!

Don't worry, assembling your new diner is simple, and we're here to help. It may go a little faster with a partner to lend a hand, but we've made it so one person can assemble the diner. Here are a few tips before you begin:

- Read through all the instructions first.
- Clear a flat, covered space (carpeted is best) to lay out all the materials so everything is close at hand.
- You will need a Phillips head screwdriver (not included) to assemble the diner. We've included everything else you need. All parts are labeled with a sticker (A-T and 1-34).
- The instructions include lots of helpful pictures—we show you, step-by-step, how to align pieces and parts for speedy and accurate assembly. Note that the hardware needed for each step is shown in the upper right corner of the page, each piece being added in a given step is highlighted in gray, and the “assembled view” (what it looks like in the completed product when the step is completed) is included in the lower right corner of every page.
- In the instructions, the name of a part is followed by a letter or number in parentheses. This letter or number corresponds to the sticker on the part, as well as the picture of the part shown on pages 2-3.
- Helpful hints are highlighted with a large exclamation point.



IMPORTANT: Helpful hints are found here.

- If you have any questions, we're here for you! Give our customer care team a call at 1-800-284-3948!
-

WARNINGS!

Retain these instructions for future reference.

Warning—Prevent Tip Overs!

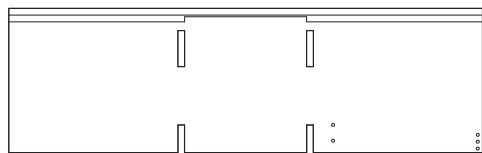
- Do not allow children to pull, climb, or stand on any part of the diner.
 - Never place computers, televisions, or other heavy objects on top of the diner.
 - Be sure to install the stabilizing feet.
 - For more information on how to prevent furniture tip overs in your home, visit AnchorIt.gov.
 - The diner must be assembled as instructed.
-

MAINTENANCE:

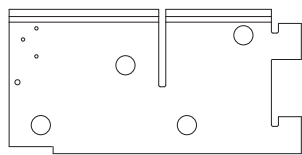
Ensure the diner continues to function properly and safely by regularly checking the hardware and tightening when necessary.

WOODEN PARTS - Be Smart—Sort Your Parts

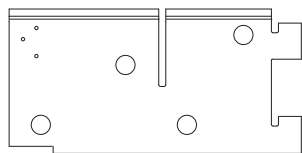
Before you begin assembly, make sure you have all the parts listed below.



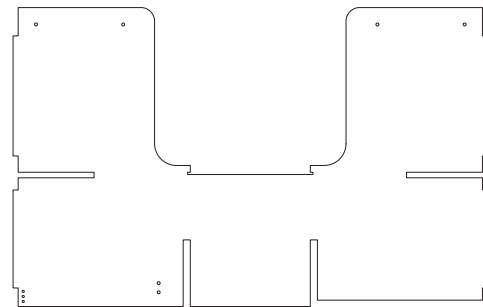
A bottom panel



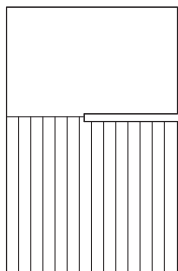
B right inner divider panel



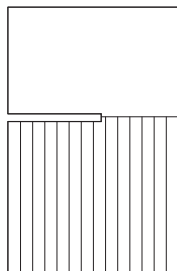
C left inner divider panel



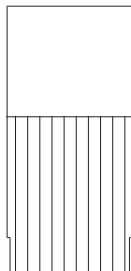
D seat panel



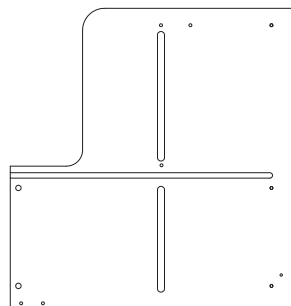
E left divider wall



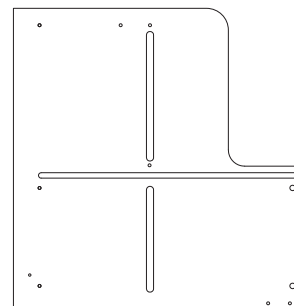
F right divider wall



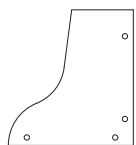
G center divider panel



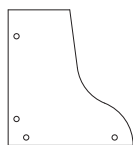
H left side panel



I right side panel



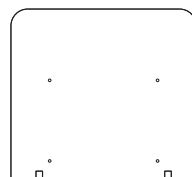
J left side seat panel



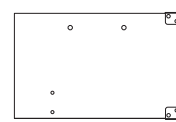
K right side seat panel



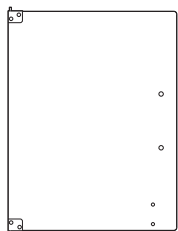
L oven control panel



M table



N oven door



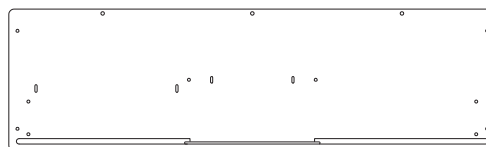
O freezer door



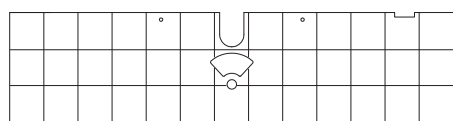
P upper left shelf wall



Q upper right shelf wall



R countertop



S upper shelf face panel



T upper shelf panel

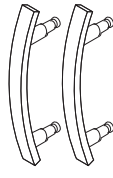
PLASTIC PARTS



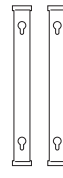
1 oven knobs (3)



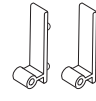
2 oven knob nuts (3)



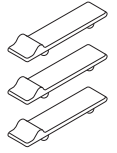
3 door handles (2)



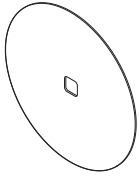
4 handle locks (2)



5 door latch springs (2)



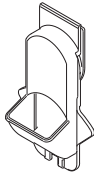
6 latch catches (3)



7 juke wheel



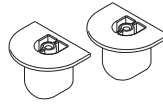
8 star knob



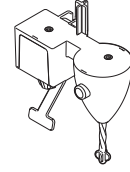
9 coin catch



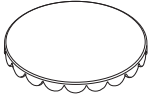
10 hook



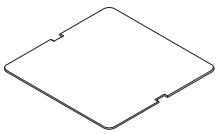
11 top clips (2)



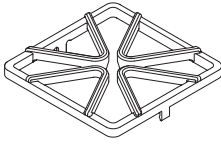
12 drink dispenser



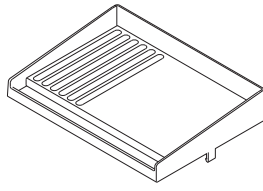
13 cake stand



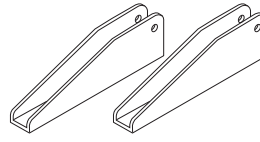
14 burner mat



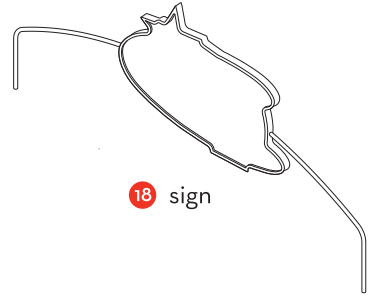
15 burner



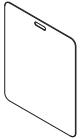
16 griddle



17 stabilizer feet (2)



18 sign



19 specials/
closed sign

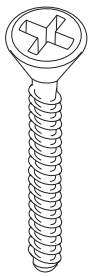


20 coin

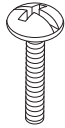


IMPORTANT: Some packages of hardware may have extra pieces.

HARDWARE



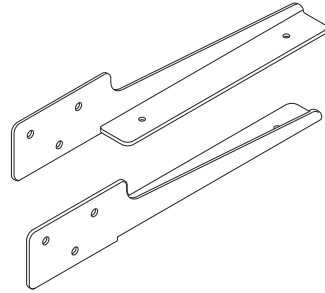
21 large screws (38)



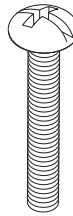
22 small screws (4)



23 split washers (4)



24 table brackets (2)



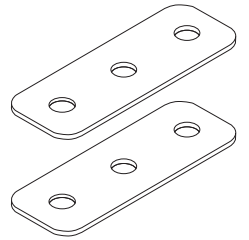
25 large bolts (6)



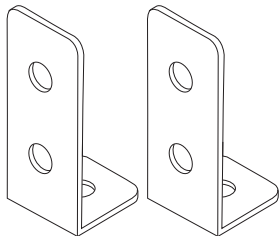
26 lock nuts (6)



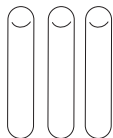
27 metal bracket screws (8)



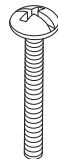
28 lower hinge brackets (2)



29 upper hinge brackets (2)



30 dowels (3)



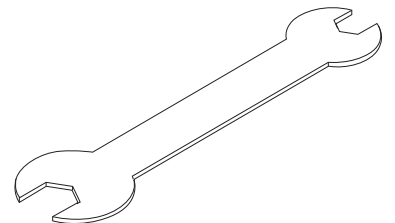
31 small bolts (2)



32 small lock nuts (2)



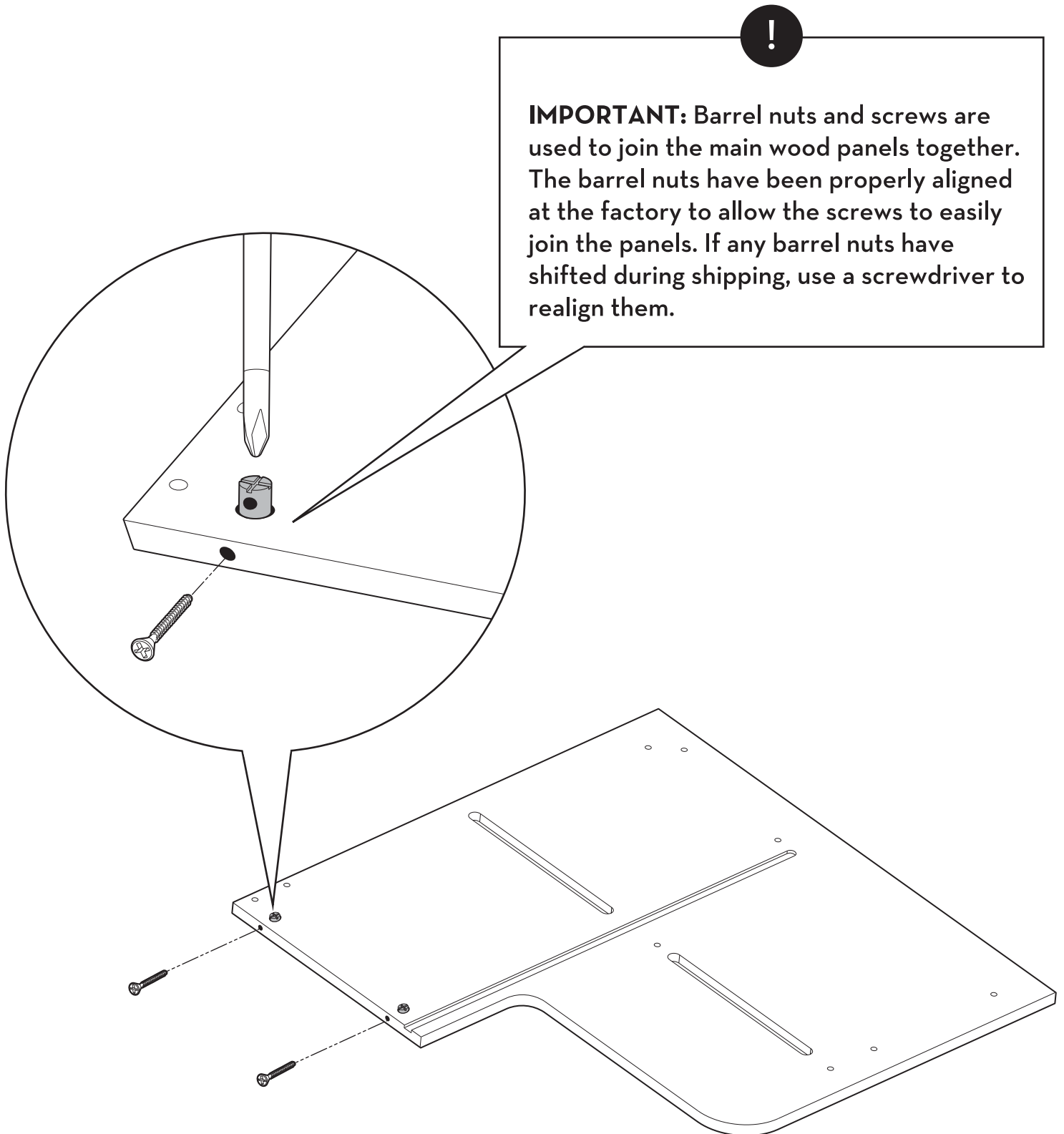
33 barrel nuts (5 extras)



34 wrench

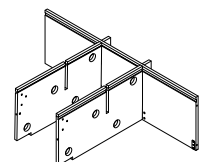
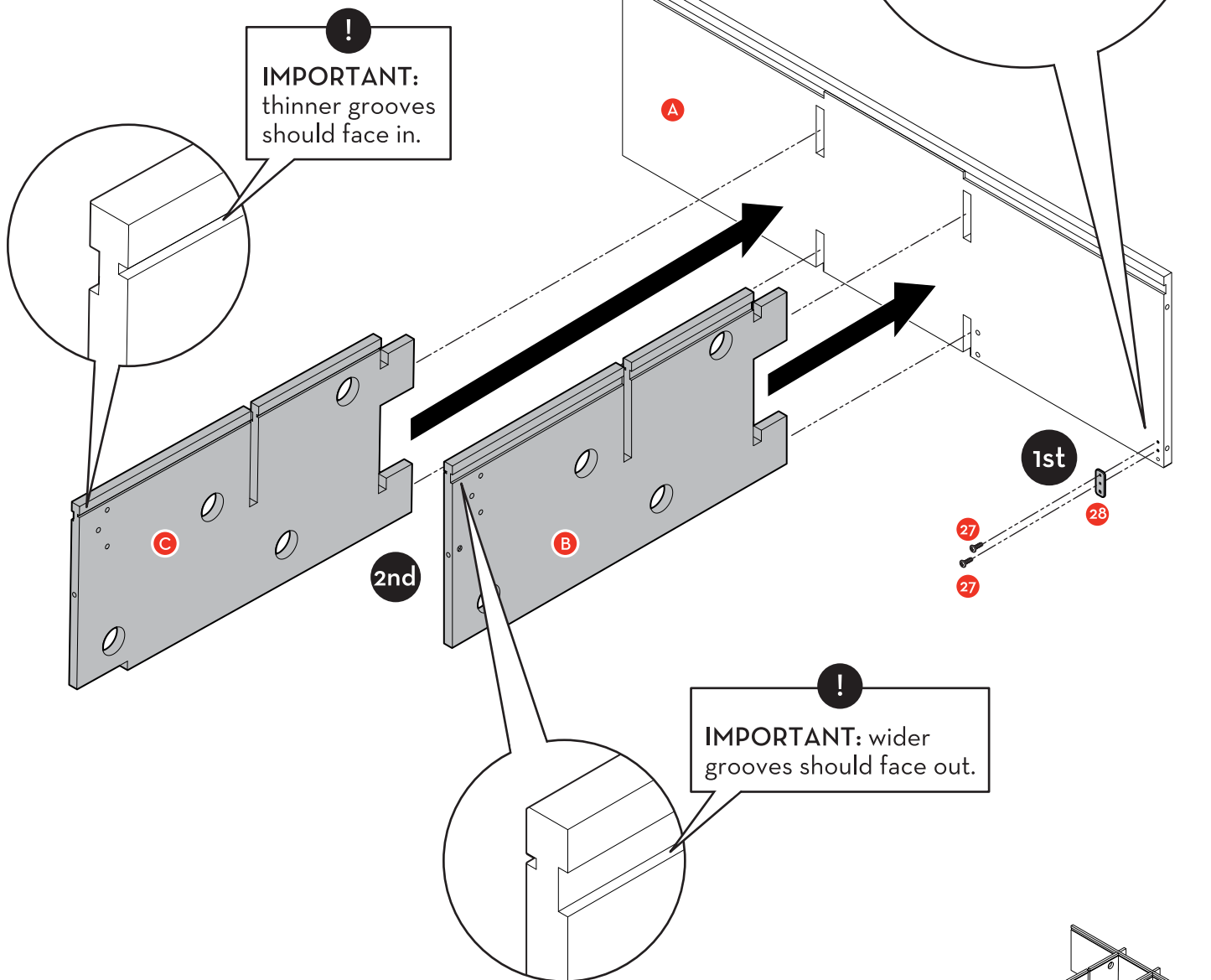
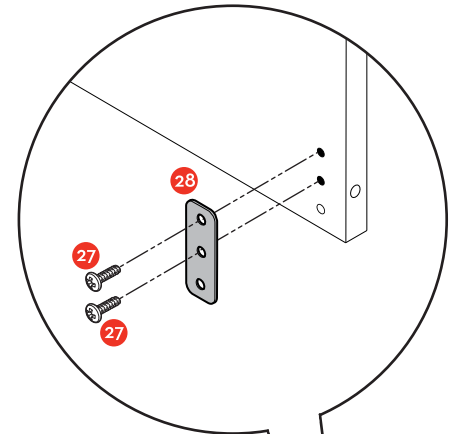
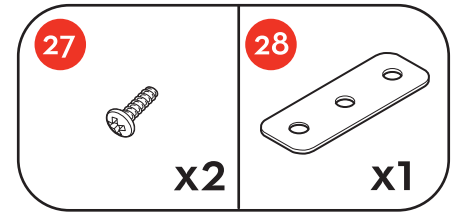
Helpful Hints and Tips

You will need a Phillips head screwdriver (not included) to assemble the diner.



STEP 1 - Every Journey Begins with the First Step

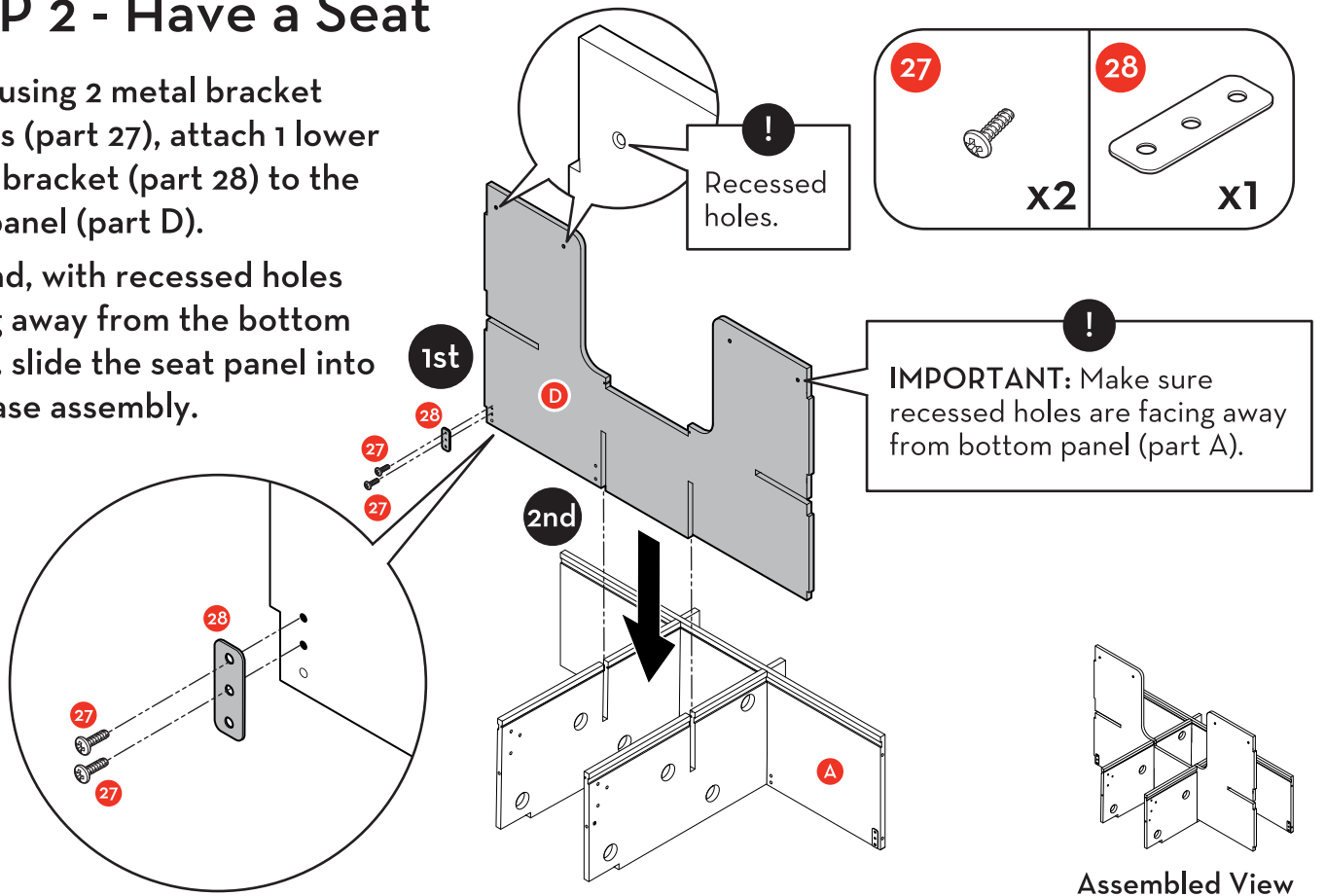
- First, using 2 metal bracket screws (part 27), attach 1 lower hinge bracket (part 28) to the bottom panel (part A).
- Second, slide the right inner divider panel (part B) into the slots in the bottom panel (part A). Then slide the left inner divider panel (part C) into the remaining slots in the bottom panel (part A).



Assembled View

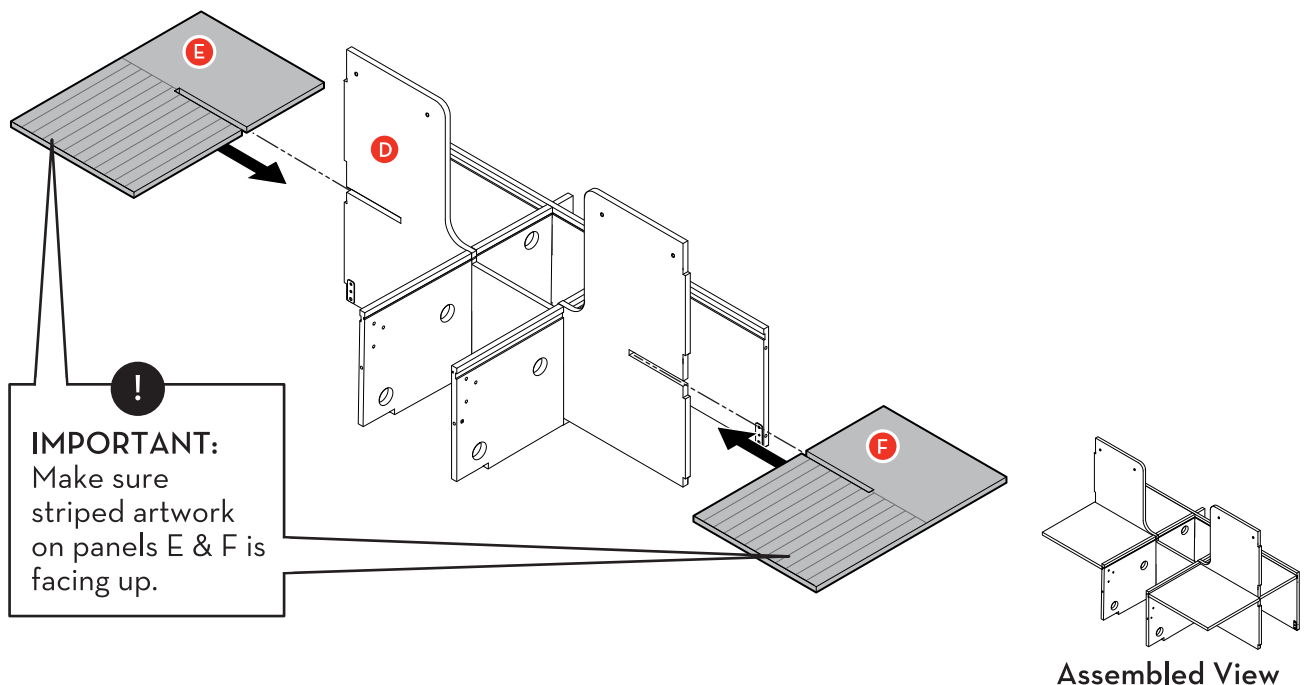
STEP 2 - Have a Seat

- First, using 2 metal bracket screws (part 27), attach 1 lower hinge bracket (part 28) to the seat panel (part D).
- Second, with recessed holes facing away from the bottom panel, slide the seat panel into the base assembly.



STEP 3 - Divide and Conquer

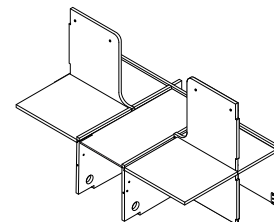
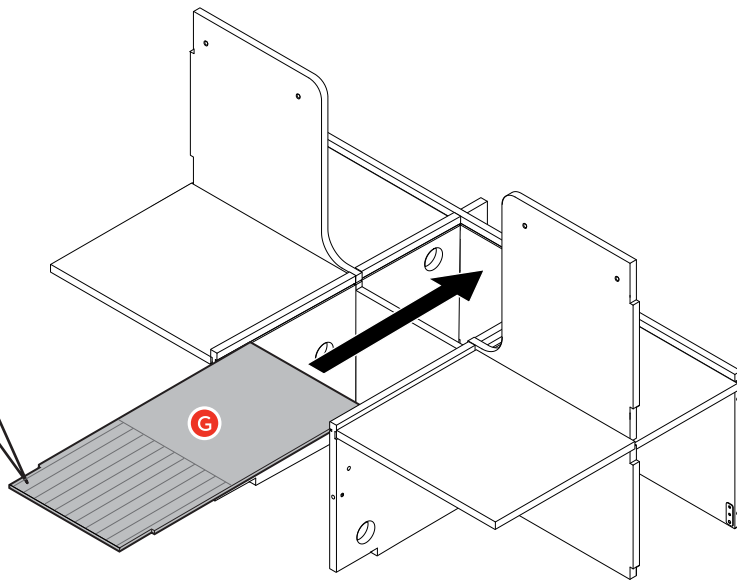
Slide the left divider wall (part E) into the left side of the seat panel (part D).
Slide the right divider wall (part F) into the right side of the seat panel.



STEP 4 - Center Yourself

Slide the center divider panel (part G), wide end first, into the slots on the inner panels.

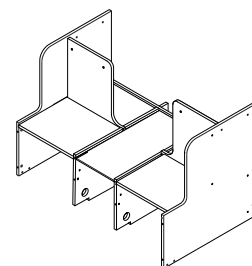
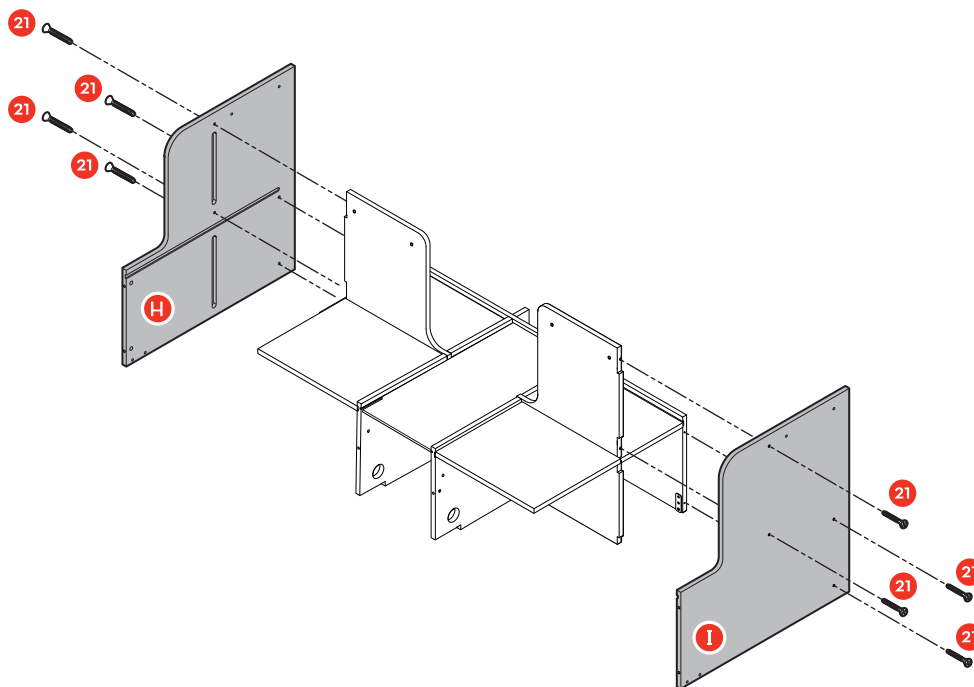
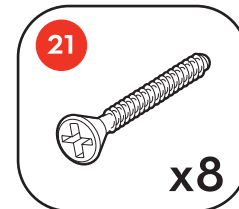
!
IMPORTANT:
Make sure striped artwork on panel G is facing up.



Assembled View

STEP 5 - Side by Side

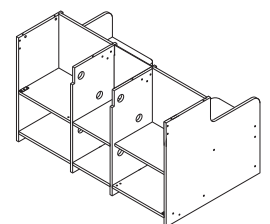
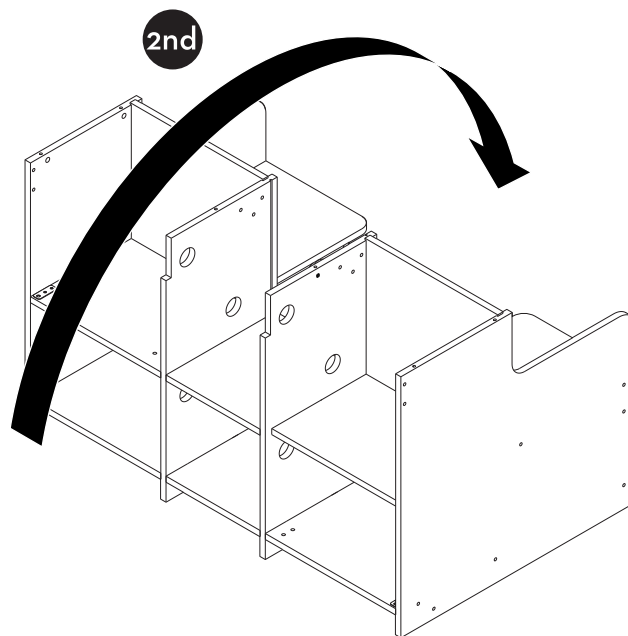
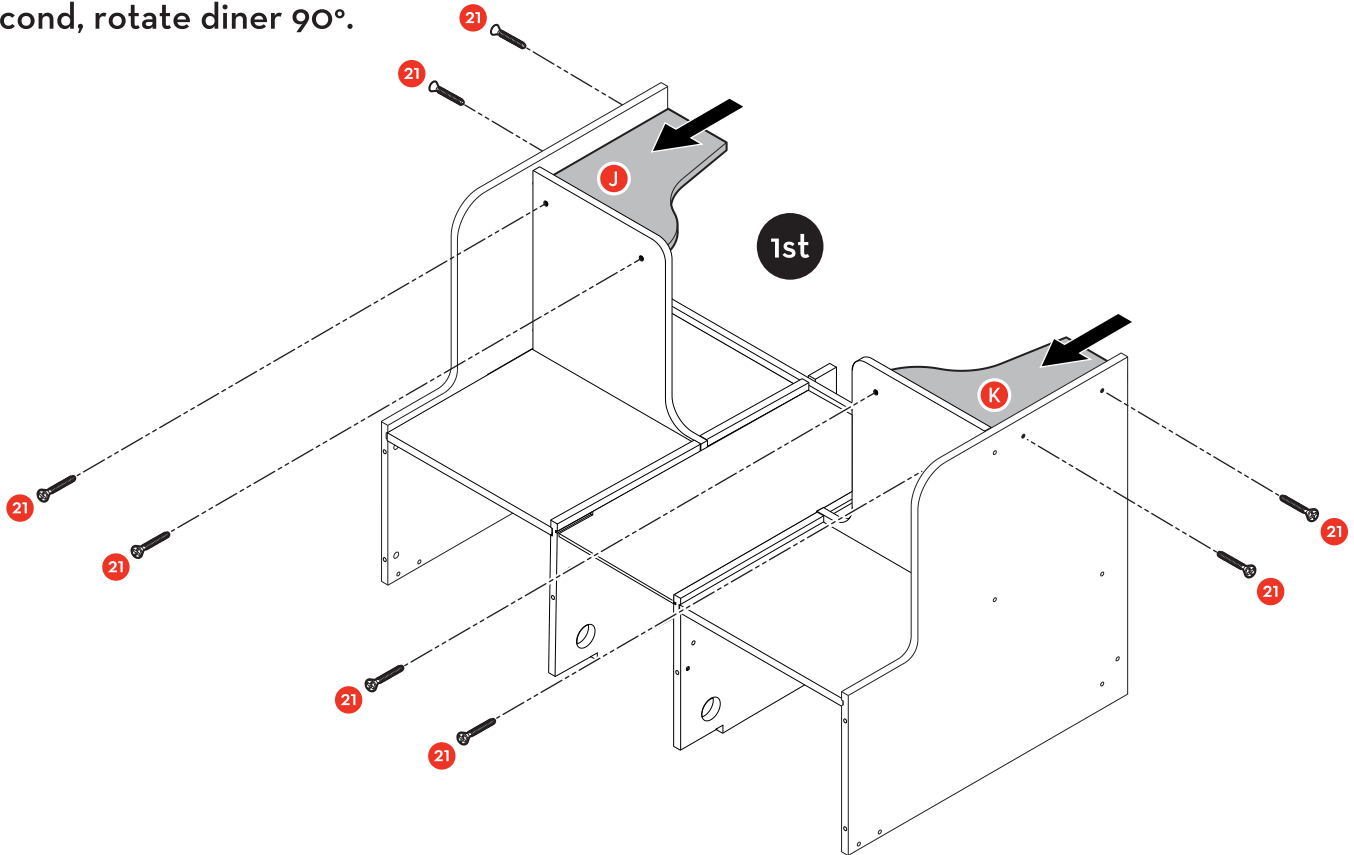
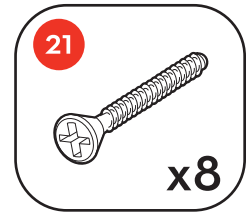
Using 8 large screws (part 21), attach the left side panel (part H) and the right side panel (part I) to the sides of the base assembly.



Assembled View

STEP 6 - It's Great to Rotate

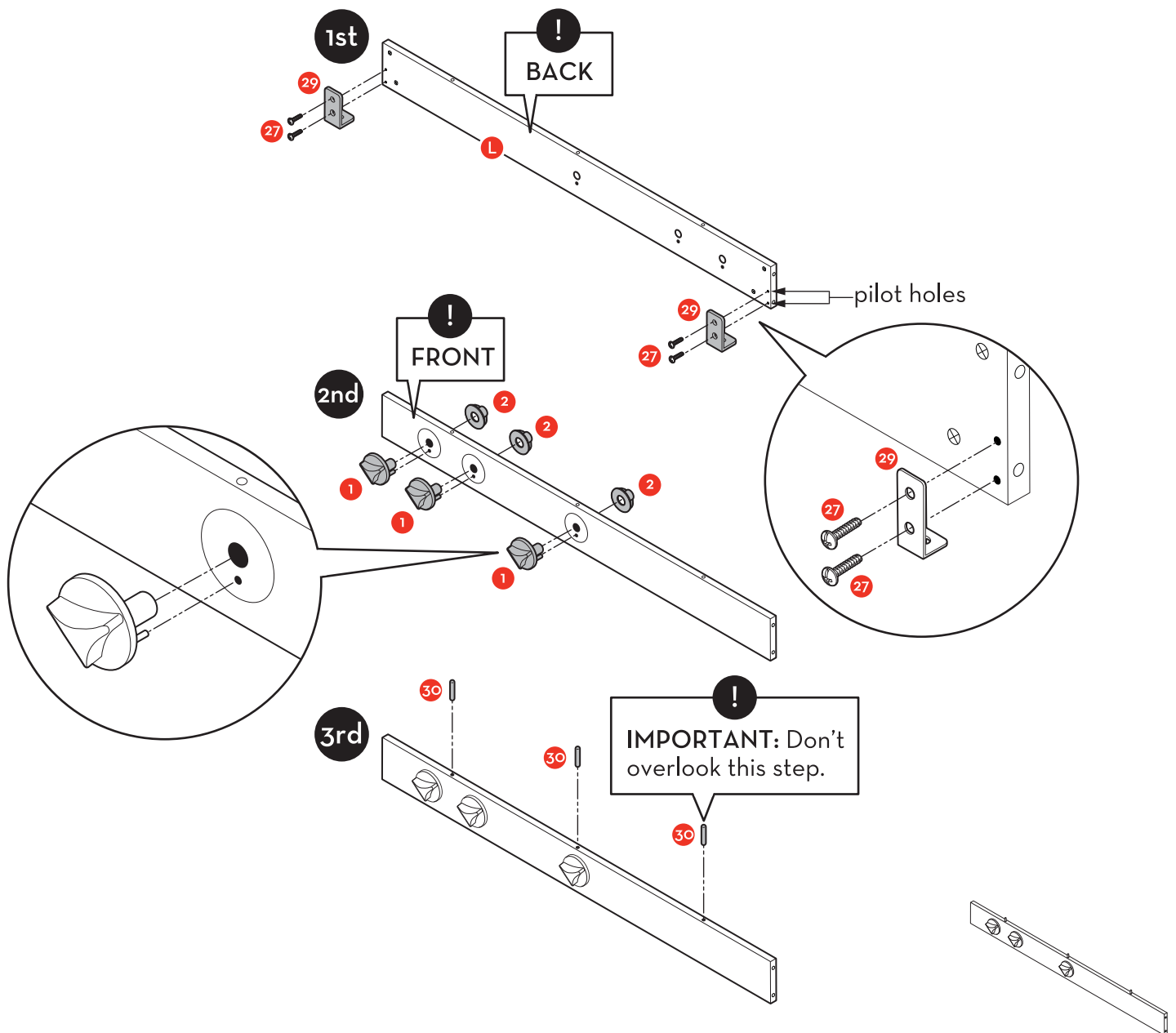
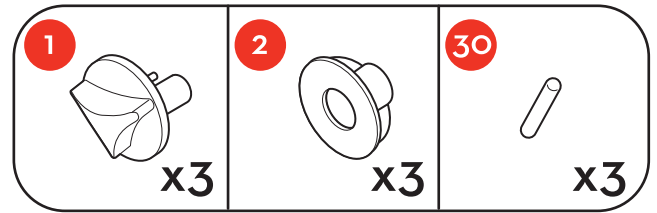
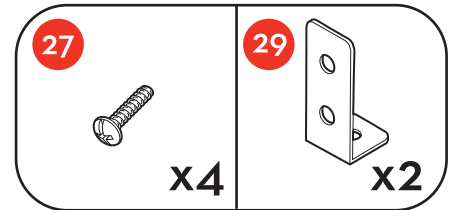
- First, using 8 large screws (part 21), attach the left side seat panel (part J) and the right side seat panel (part K) to the base assembly.
- Second, rotate diner 90°.



Assembled View

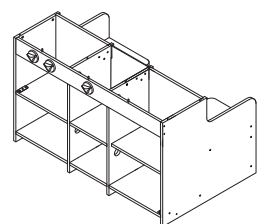
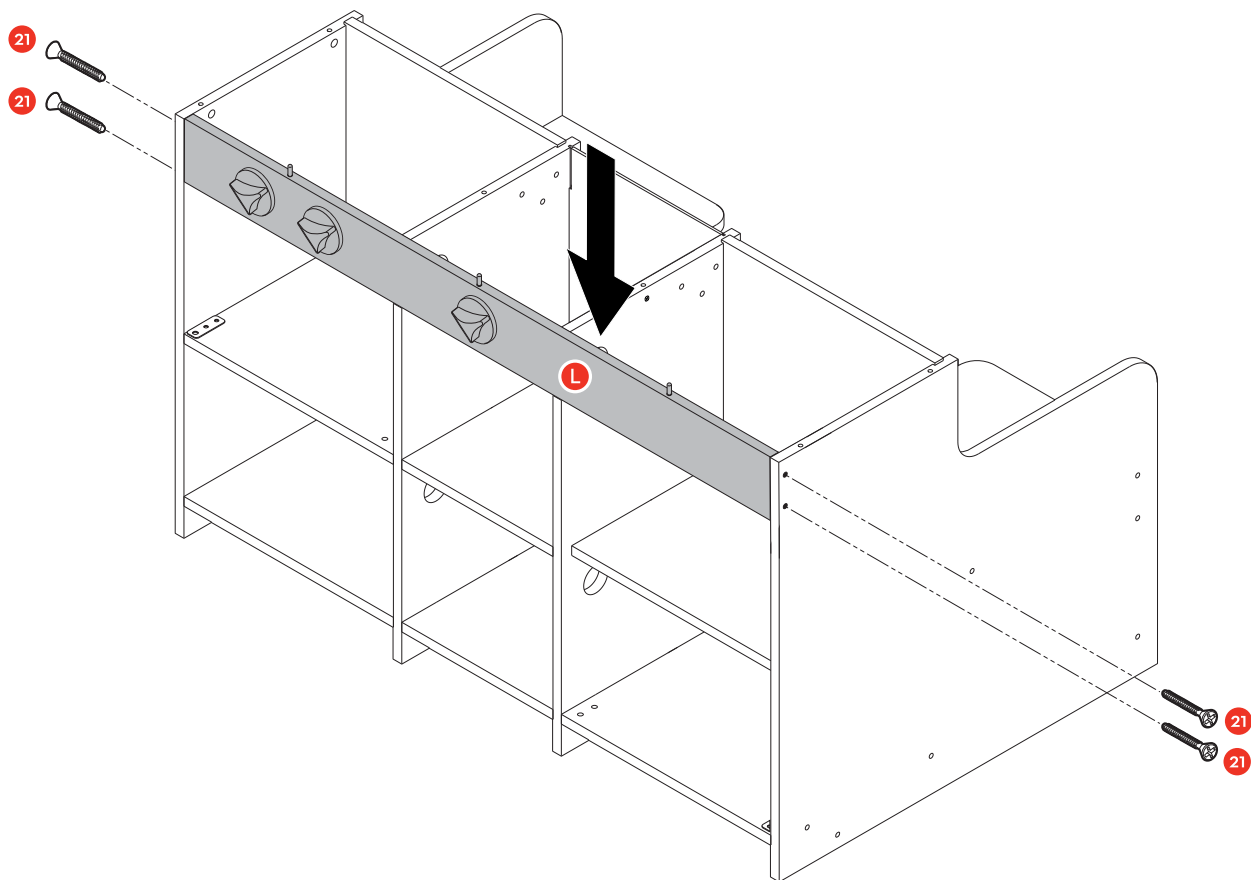
STEP 7 - These Knobs Will Do the Job

- First, using 4 metal bracket screws (part 27), attach the upper hinge brackets (part 29) to the back of the oven control panel (part L).
- Second, slide the oven knobs (part 1) through holes in the front of the oven control panel and fasten oven knob nuts (part 2) firmly onto the ends of the knobs.
- Third, insert the wooden dowels (part 30) into the top of oven control panel.



STEP 8 - Under Control

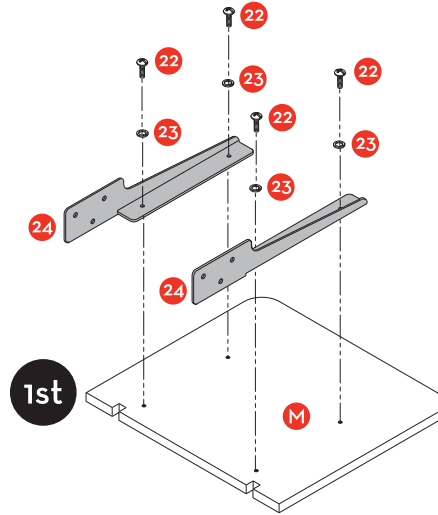
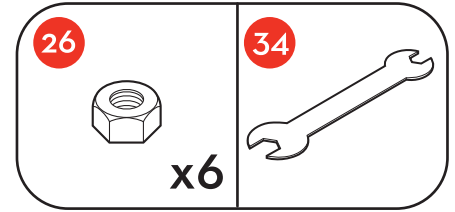
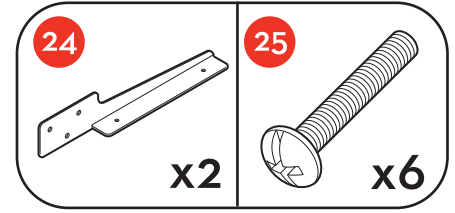
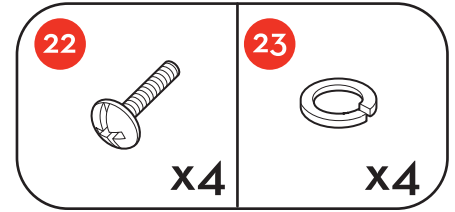
Using 4 large screws (part 21), attach the oven control panel (part L) to the diner assembly.



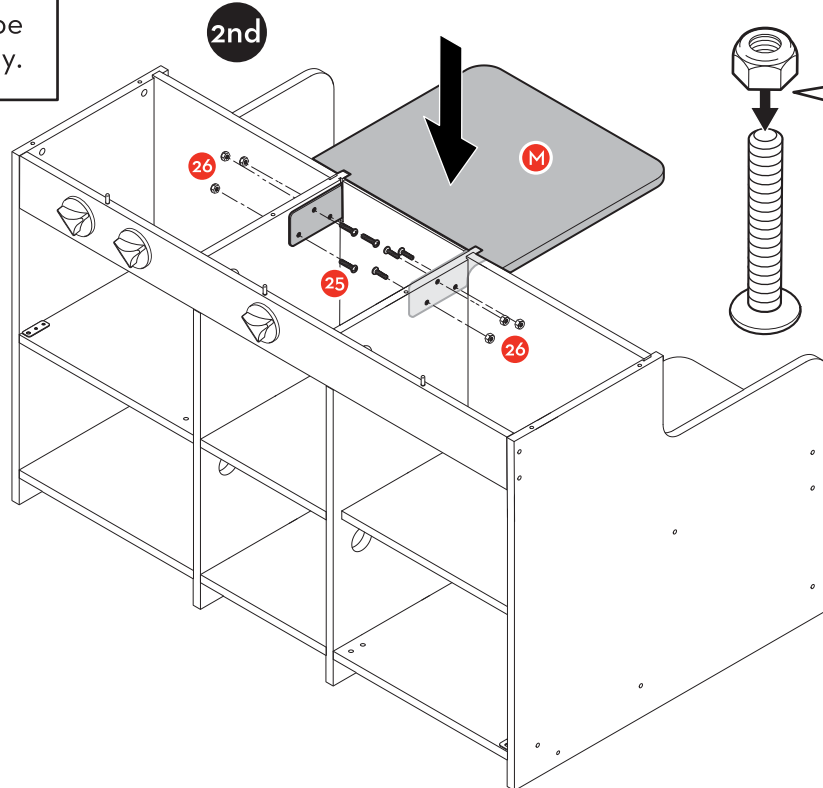
Assembled View

STEP 9 - Table It

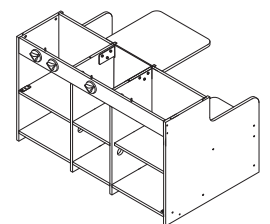
- First, using the 4 small screws (part 22) and 4 split washers (part 23), attach the table brackets (parts 24) to the underside of the table (part M).
- Second, flip table over and slide into the small slots on the back of center panel. Using the 6 large bolts (part 25), a Phillips screwdriver, 6 lock nuts (part 26), and the wrench (part 34), attach the brackets to the sides of the inner walls.



!
IMPORTANT: Bolts and lock nuts must be tightened completely.

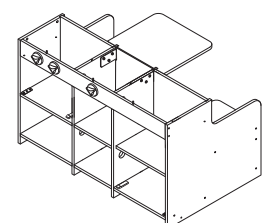
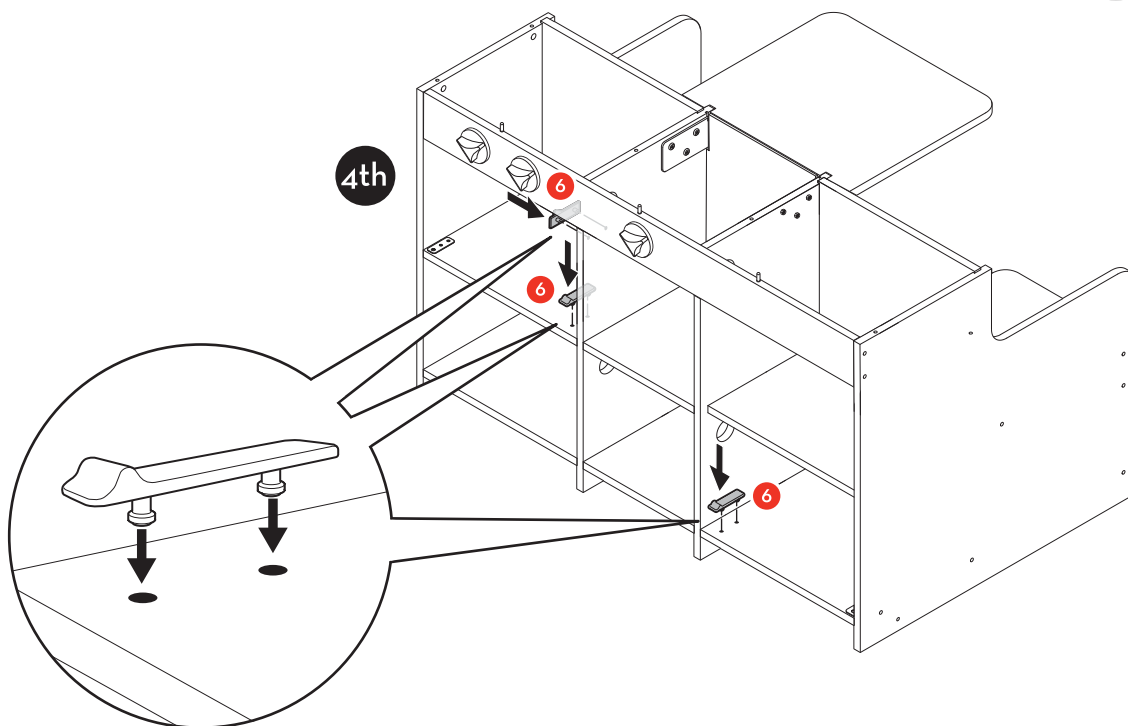
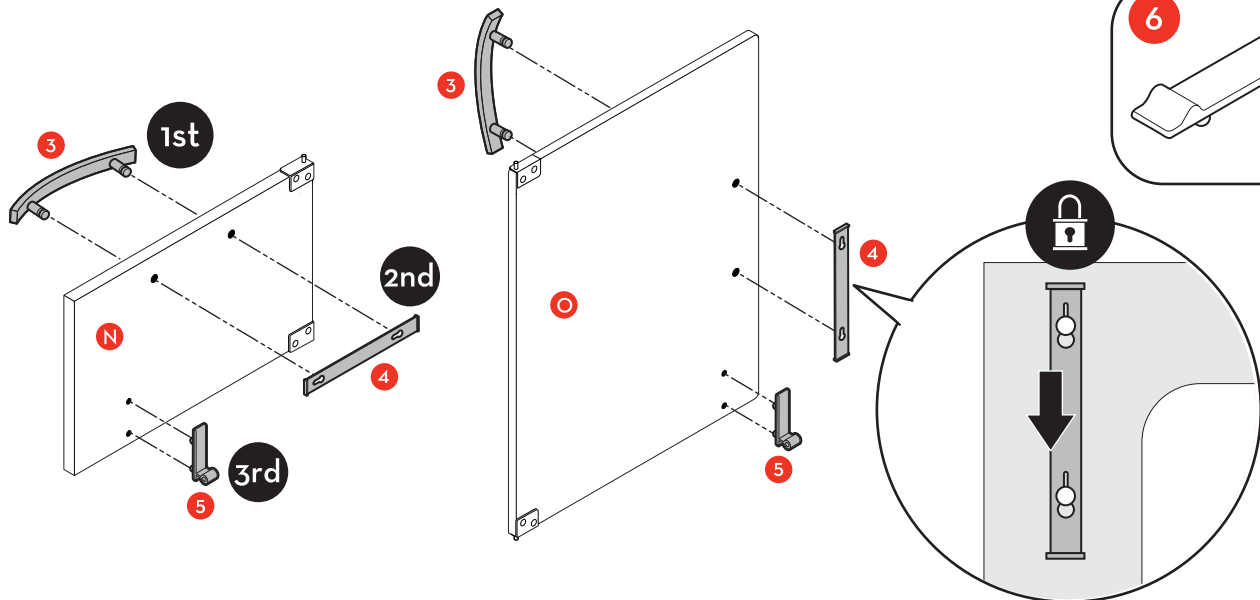
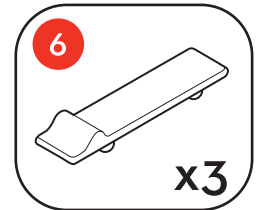
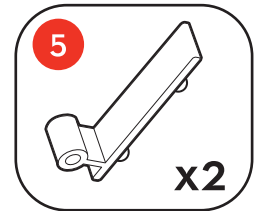
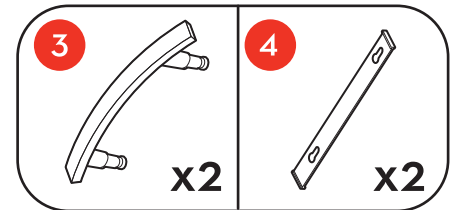


!
IMPORTANT: Make sure lock nuts are properly oriented with flat side toward bolt.



STEP 10 - Easy to Handle

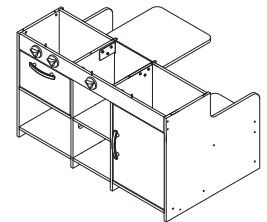
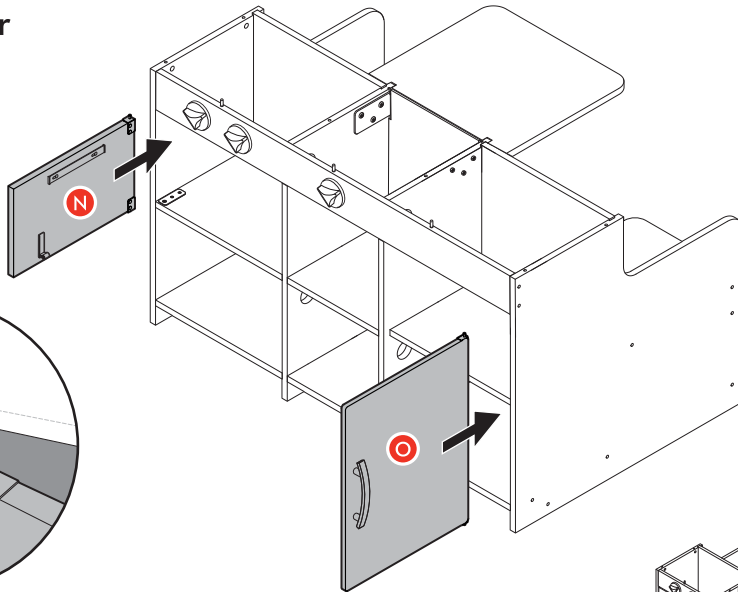
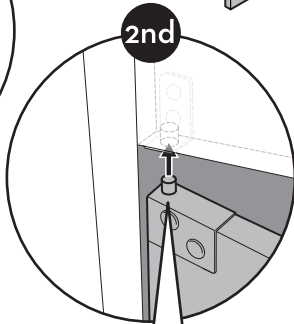
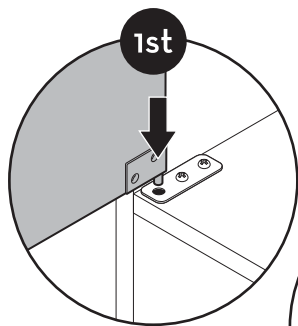
- First, insert the 2 door handles (part 3) through the front of oven door (part N) and freezer door (part O).
- Second, slide the handle locks (part 4) onto the backs of the handles and slide to lock.
- Third, insert 2 door latch springs (part 5) into the base of each door.
- Fourth, insert the 3 door latch catches (part 6) into the holes in the diner shelves.



Assembled View

STEP 11 - Don't Come Unhinged

Attach the doors (parts N & O) to the diner unit using the upper and lower spring hinges.

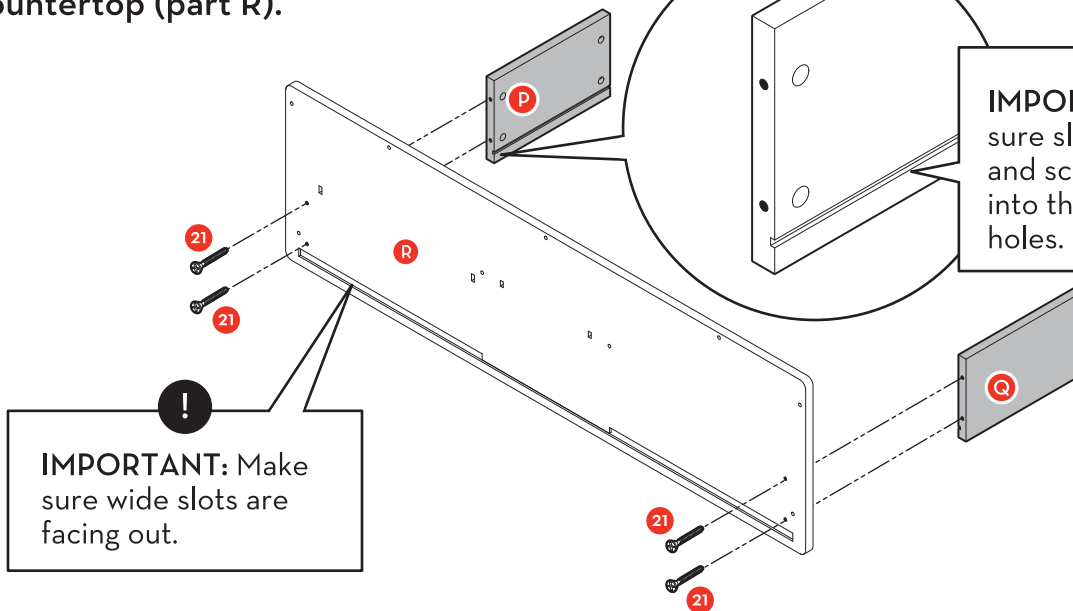


Assembled View

! **IMPORTANT:** Hinges are spring loaded. Depress the hinge buttons to fit into hinge slots.

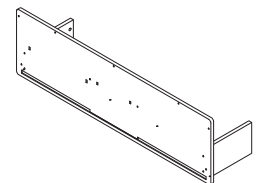
STEP 12 - Do It Your Shelf

Using 4 large screws (part 21), attach the upper left shelf wall (part P) and the upper right shelf wall (part Q) to the countertop (part R).



! **IMPORTANT:** Make sure slots are facing in and screws are inserted into the end with just 2 holes.

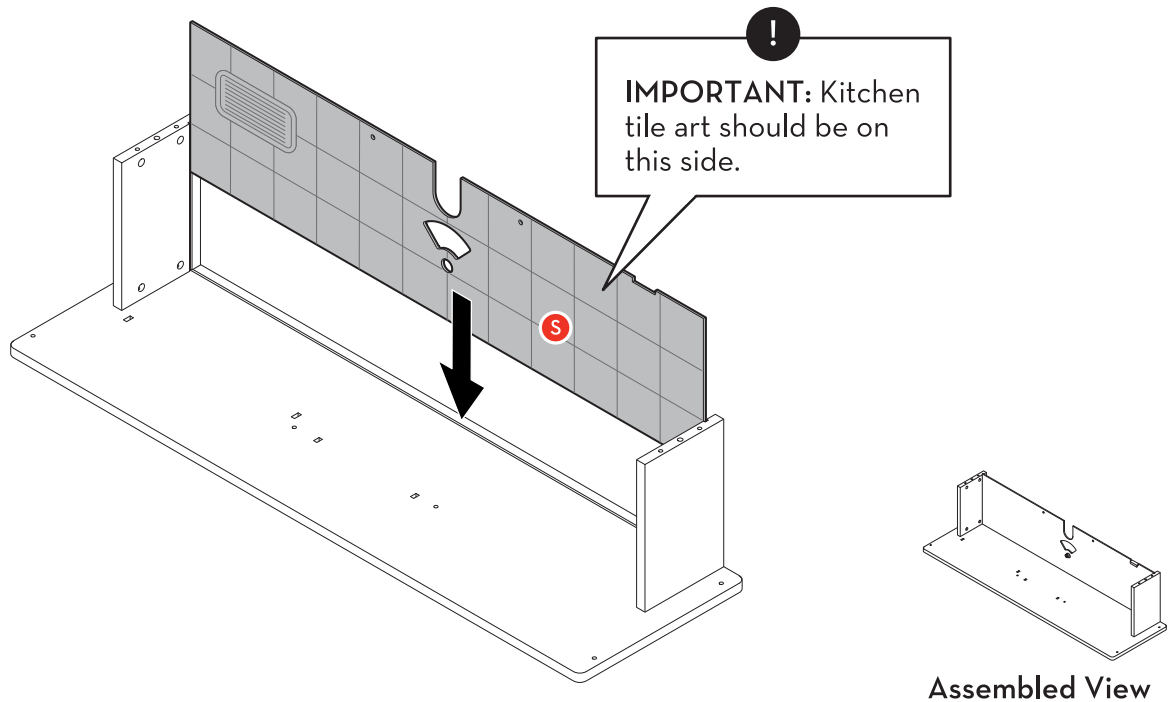
! **IMPORTANT:** Make sure wide slots are facing out.



Assembled View

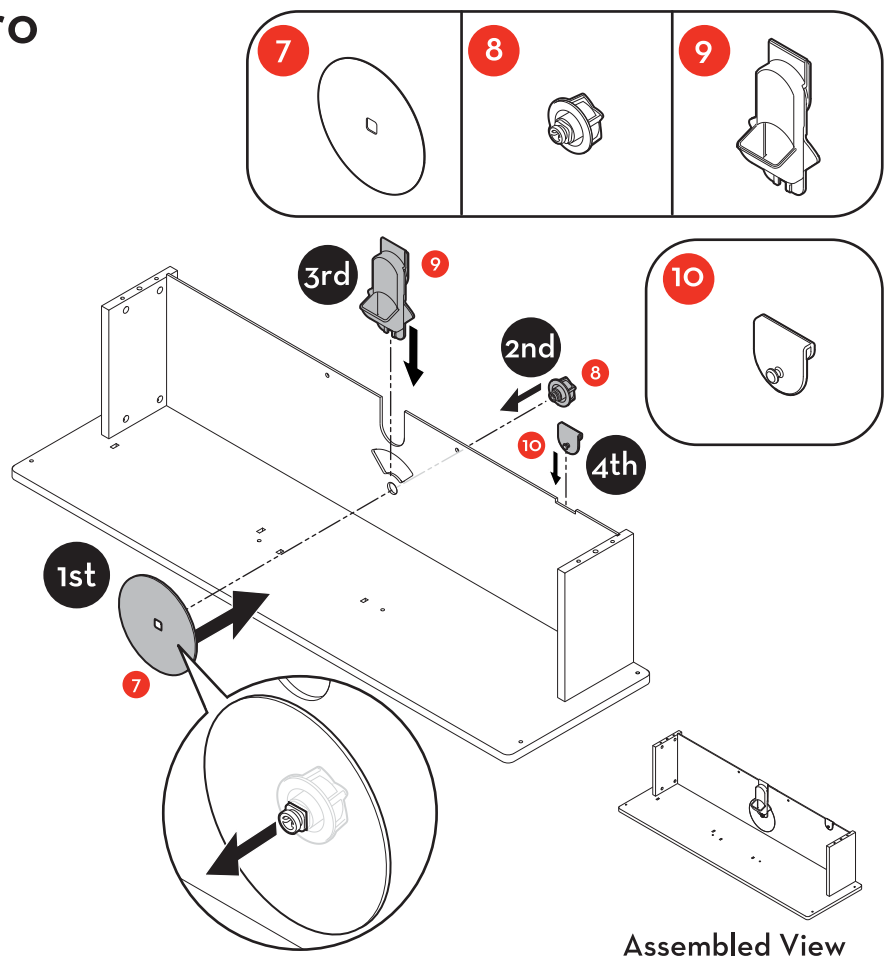
STEP 13 - Perfectly Placed Panel

Rotate the countertop so its base is on the floor. Slide the upper shelf face panel (part S) into the slots in the upper shelf walls. The side with the jukebox should be facing away from you.



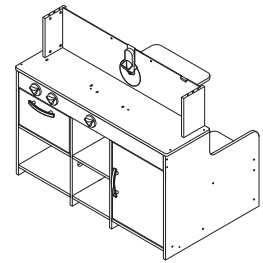
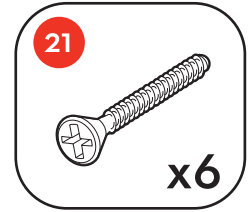
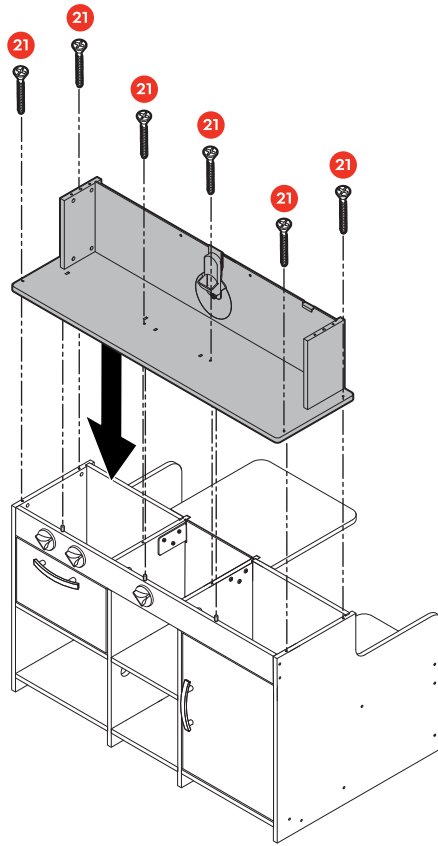
STEP 14 - Jukebox Hero

- First, align the juke wheel (part 7) so its hole is centered with the hole in the upper shelf face panel (part S).
- Second, push the end of the star knob (part 8) through the hole in the upper shelf face panel and through the hole in the juke wheel disk.
- Third, bring the coin catch (part 9) down onto the slot in the upper shelf panel and connect it to the back of the star knob.
- Fourth, slide the hook (part 10) onto the notch on the upper shelf panel. Make sure hook is on the jukebox side of the upper shelf face panel.



STEP 15 - Encounter the Counter

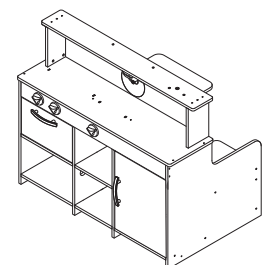
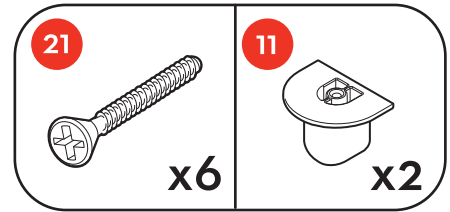
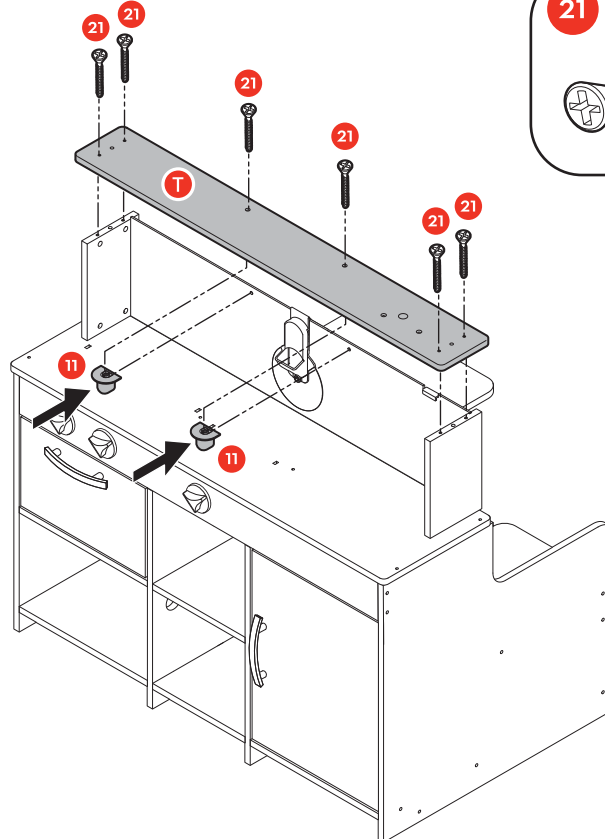
Using 6 large screws (part 21), attach the countertop assembly to the diner.



Assembled View

STEP 16 - Top It Off

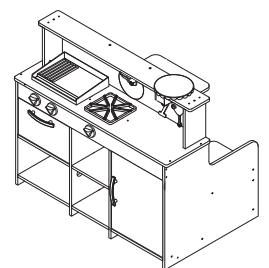
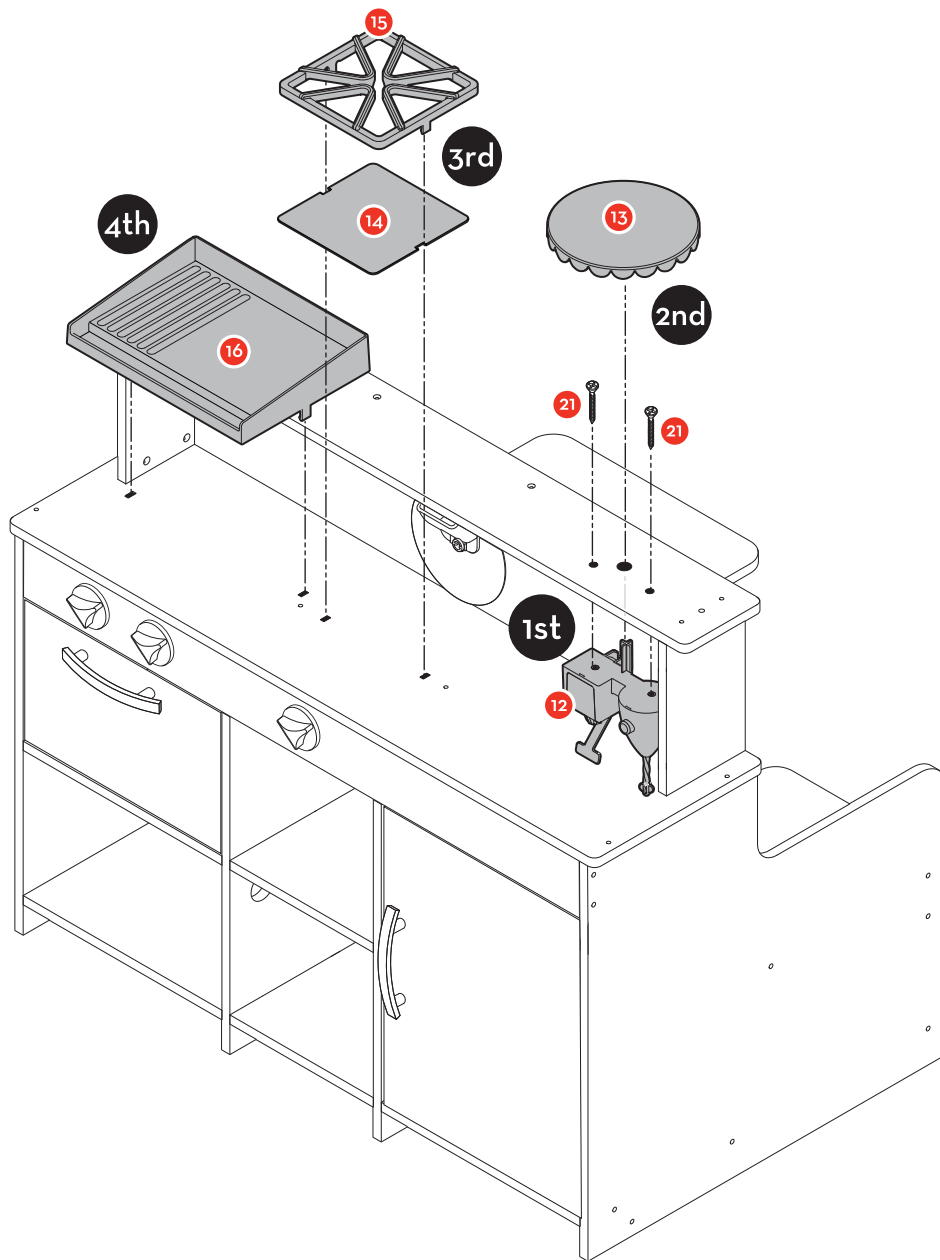
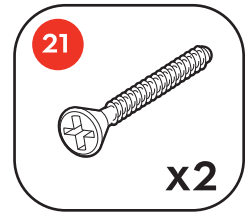
Using 4 large screws (part 21), attach both ends of the upper shelf (part T) to the upper shelf sides. Insert 2 top clips (part 11) into upper shelf face panel. Using 2 large screws (part 21), attach upper shelf to the top clips.



Assembled View

STEP 17 - Apply the Appliances

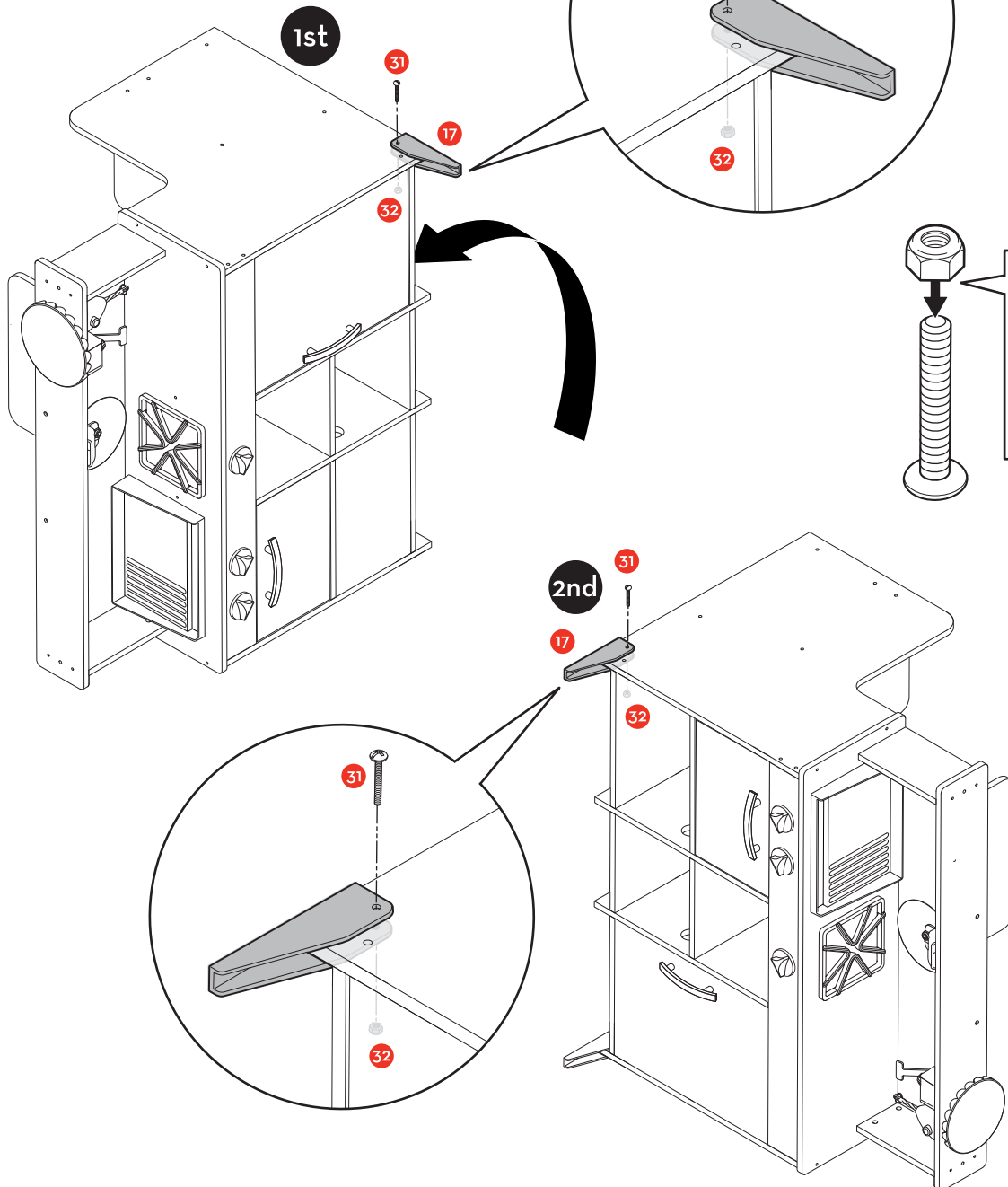
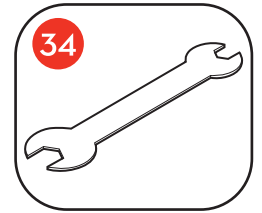
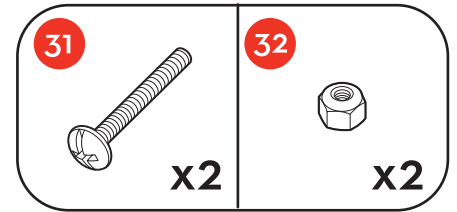
- First, using 2 large screws (part 21) attach the drink dispenser (part 12) to the underside of the upper shelf panel.
- Second, push the cake stand (part 13) onto the drink dispenser post.
- Third, place the burner mat (part 14) underneath the burner (part 15) and clip them to the countertop.
- Fourth, clip the griddle (part 16) to the countertop.



Assembled View

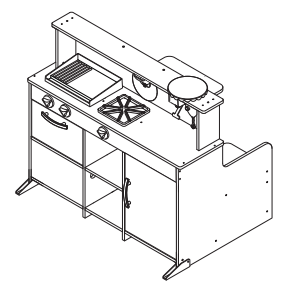
STEP 18 - Can't Beat the Feet

- First, rotate the diner onto its side. Slide a stabilizer foot (part 17) onto the bottom of the side panel. Use the wrench (part 34), small bolt (part 31), and a small lock nut (part 32) to attach the stabilizer foot to the diner.
- Second, rotate diner onto opposite side and repeat step.



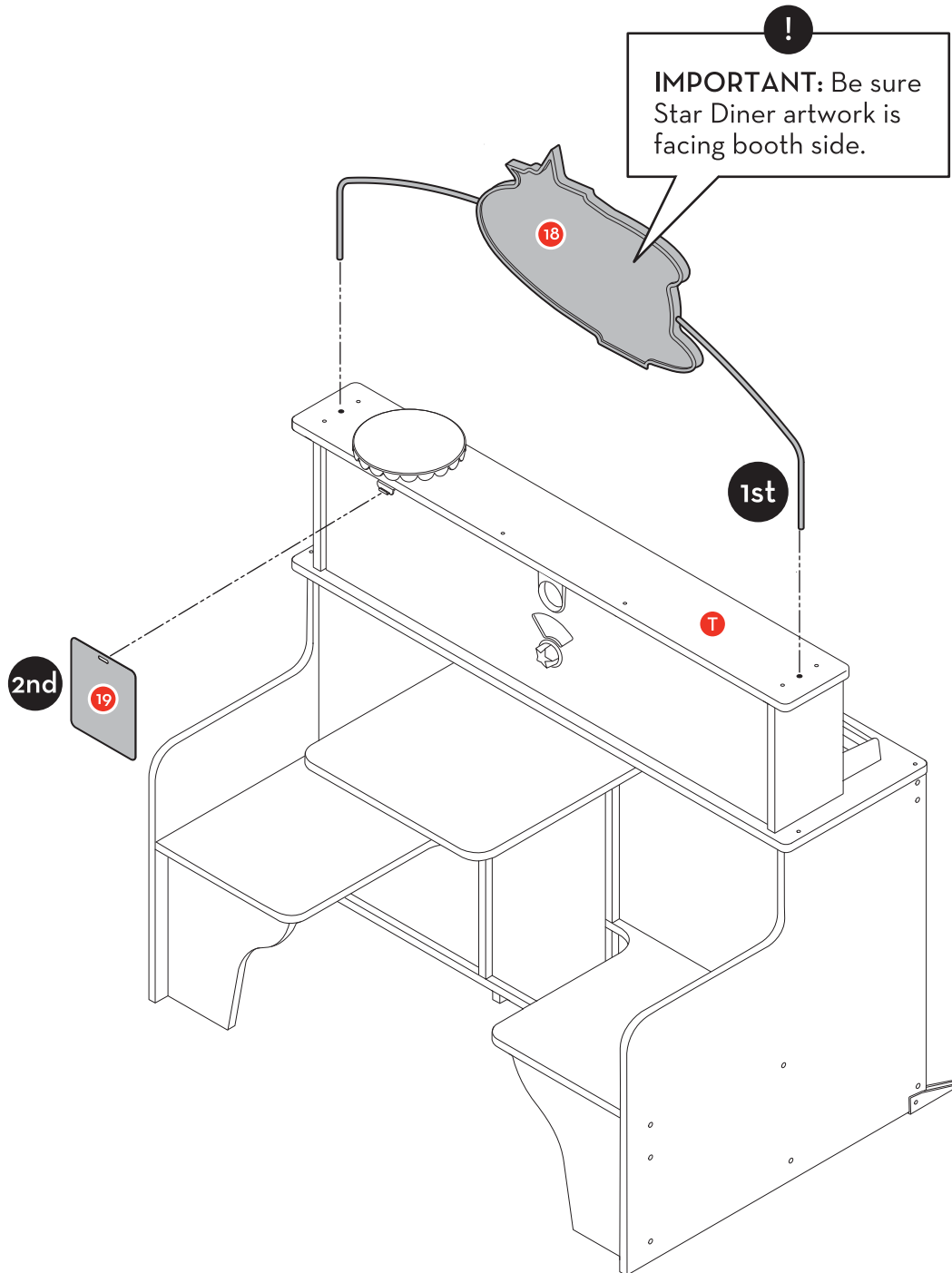
!

IMPORTANT:
Make sure lock nuts are properly oriented with flat side toward bolt.

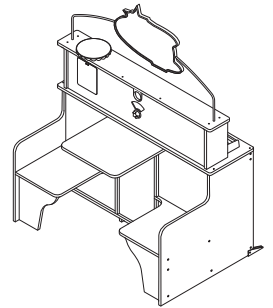


STEP 19 - Sign Up Now

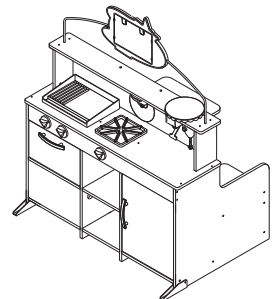
- First, insert the sign poles (part 18) into the holes on both sides of the upper shelf panel (part T).
- Second, hang the specials/closed sign (part 19) on the hook on the booth side of the diner.



Booth Side



Kitchen Side



Assembled Views

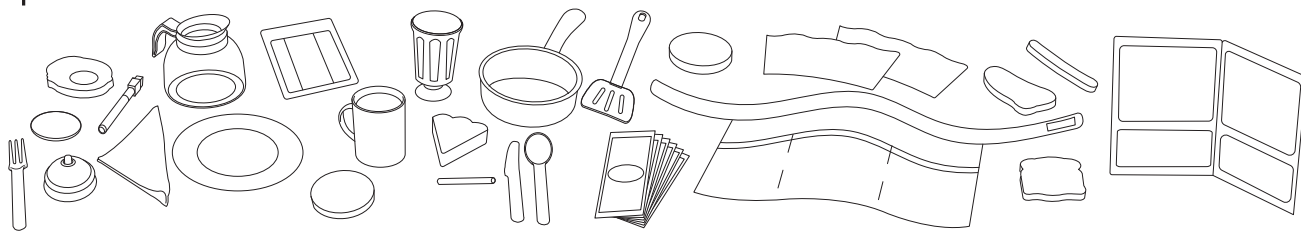
YOU DID IT!

Now the real fun begins—it's time to cook up a good time! Here are some of the special features of the Star Diner Restaurant:

- **DOUBLE-SIDED FOR TWICE THE FUN:** Customers can enjoy classic booth seating for two on one side, while chefs prepare meals in the full kitchen on the other!
- **JUKEBOX:** Turn the dial to point to a music type, then drop the play coin in the slot. The coin comes out in the collection tray on the other side!
- **DOUBLE DRINK DISPENSER:** Whip up pretend shakes and frappes with the milkshake maker and pour refreshing fountain drinks from the soda dispenser! The shake mixing rod moves up and down and the soda dispenser rod pushes back for realistic play.
- **SPINNING TURNTABLE:** Display cake, pie, or other food items!
- **SEVERAL WAYS TO COOK:** Budding chefs can use the grill, flat-top griddle, or burner with realistic grate. Stove and oven dials turn and click.
- **ILLUSTRATED SIGNS:** The bright, bold Star Diner sign points the way for customers, while clips on the back let the chef hang up orders! A double-sided hanging sign lists Daily Specials on one side, and acts as a Closed sign at the end of a busy day.
- **LOTS OF STORAGE & PLAY SPACE:** Ample countertop area for “food prep,” and plenty of sturdy shelving. The extra-large oven and refrigerator have doors to conceal goodies inside!
- **SAFETY FIRST:** High-quality materials ensure strength and durability, while smooth, curved corners and edges offer peace of mind. Doors include safety catches, and stabilizer feet prevent dangerous tip overs.

ACCESSORIZE

The Melissa & Doug Star Diner Restaurant Play Set (#5188) has everything kids need to order, cook, and serve up delicious diner classics!



The 41-piece set includes seven double-sided wooden food pieces (14 foods total), durable frying pan, spatula, coffee pot, mug, two double-sided mug inserts (four hot drink options), fork, knife, spoon, plate, fabric napkin, milkshake cup, straw, two double-sided milkshake inserts (four shake favors), cloth apron with pockets, working metal bell, menu, reusable guest check, dry-erase marker, and play money!

For this and other play kitchen and restaurant essentials, such as play food, role play costumes, cookware, utensils, and more, visit us at MelissaAndDoug.com!

